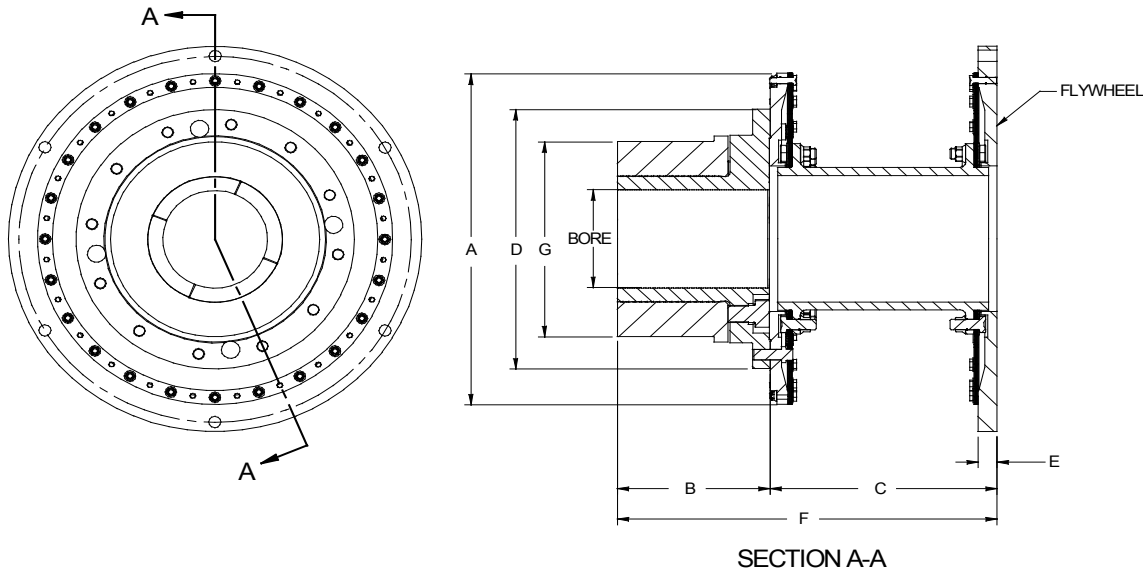


Flywheel FLEXXOR

Engineering Data-English

CCA FLEXXOR								
Coupling Size	Max Bore	A	B	C	D	E	F	G
100	2.500	3.875	2.50	3.31	4.61	0.32	5.81	2.75
125	2.875	4.750	2.75	3.88	5.75	0.39	6.63	3.31
162	4.000	6.250	3.75	5.87	9.12	0.5	9.62	6.12
200	4.750	7.750	4.50	7.62	11.89	0.71	12.12	7.44
250	5.875	9.625	5.38	9.87	15	0.88	15.25	9.5
312	7.500	12.125	5.50	9.88	15	0.88	15.38	9.5
400	9.000	15.500	8.63	15.68	23.75	1.25	24.31	14.5
500	10.875	19.375	11.88	23.31	39.88	2.12	35.19	22.12
630	12.00	24.125	14.00	23.75	43.62	2.12	37.75	26
800	14.00	30.750	16.00	--	--	--	--	--

Size	H.P. per 100 RPM 1.0 SF	Rated Torque (in.lb)	Peak O/L torque
100	5.2	3,300	6,600
125	10.3	6,492	12,984
162	22.5	14,160	28,320
200C4	41.7	26,280	52,560
200C5	41.7	26,280	52,560
250C4	82.5	52,080	104,160
250C5	82.5	52,080	104,160
312C4	160	100,920	201,840
312C5	197.5	100,920	201,840
400C4	337	212,400	424,800
400C5	337	265,500	531,000
500C4	337	414,000	828,000
500C5	658	517,500	1,035,000
500C6	658	621,000	1,242,000
630C4	1321	832,800	1,665,600
630C5	1,652	1,041,000	2,082,000
630C5	1,652	1,041,000	2,082,000
800C4	2,628	1,656,000	3,312,000



Materials

- Hubs - 4000 series or equivalent alloy steel heat treated to 130,000 PSI UTS minimum.
- Hub Rings, sleeves - 1018, 1026 carbon steel or 4000 series alloy. Diaphragms - 17-7 PH, 301 full hard.
- Bolts - AISI 4140, 4340, 6150, 8740 alloy steel heat treated to grade 8 min. Locknuts - Grade C min.
- Special materials available such as Stainless, Inconel, Beryllium copper, Titanium, Monel.